



AMERICAS tel: +1 417 866 2322 • info@connectpositronic.com
ASIA/PACIFIC tel: +65 6842 1419 • singapore@connectpositronic.com
EUROPE tel: +33 5 6263 7442 • contact@connectpositronic.com

For more information visit: www.connectpositronic.com/locations

Optik-D Series Brochure Corrections

Dear Customer:

It is our goal to provide you with up-to-date product literature. In order to achieve this goal, we are supplying the attached pages.

These pages will update your **Optik-D Series** brochure to the new revision of **C-004 Rev NC1**. It also will correct errors contained in our printed material and/or provide information about product expansion. These changes are indicated by ***bold italics and are underlined***. Please reference page numbers at bottom of each page for proper placement in the catalog.

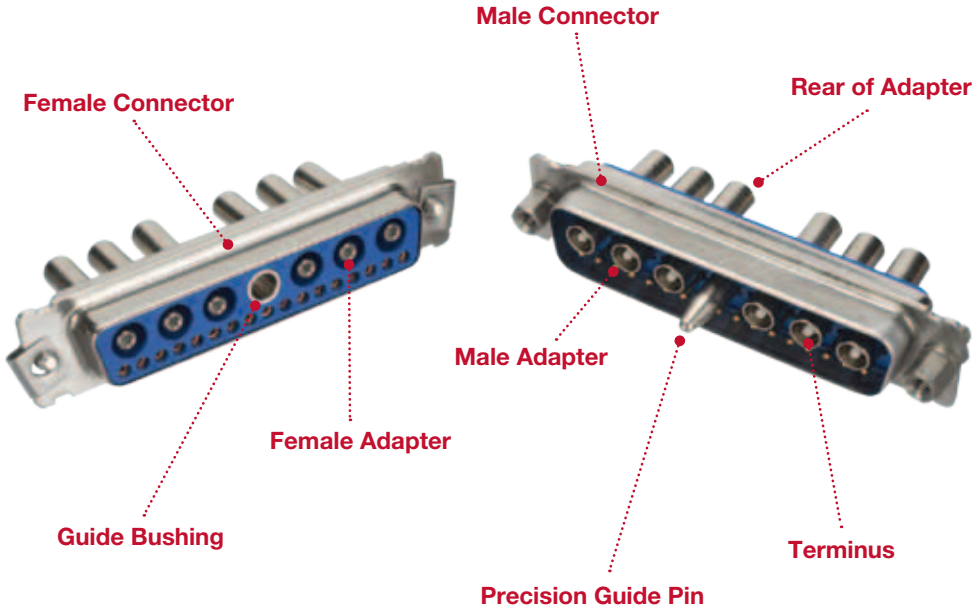
If you would like to request additional printed copies, please email your name, and mailing, address, including postal code to one of the following locations: info@connectpositronic.com (*for customers of the Americas*), contact@connectpositronic.com (*for European customers*), singapore@connectpositronic.com (*for Asia/Pacific customers*). Please to indicate you would like to receive a printed supplement for **C-004 Rev NC1** and the quantities you desire.

Electronic PDF files can be downloaded from our web site at:

http://www.connectpositronic.com/?attachment_id=18276

Please update your catalog accordingly.

We will make these corrections in the upcoming printing of this catalog. Contact us for any additional information at the appropriate location listed above.



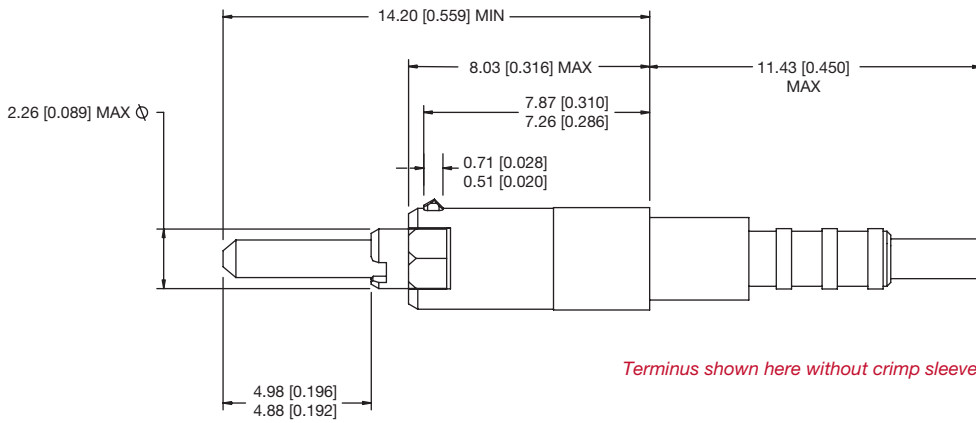
The low loss performance of this system is based on a **tight tolerance** guide pin and bushing that act jointly to keep the fiber cores **precisely aligned**.

The guide pins and bushings are installed at the factory and are required for proper performance.

TECHNICAL SPECIFICATIONS

| Description | Value |
|-----------------------------|---|
| Type | Multi-mode (Contact technical sales for single mode options) |
| Ferrule | 1.25mm Zirconia Ceramic |
| Ferrule Holder | Brass alloy |
| Ferrule Holder Plating | Electroless nickel, 200 microinches |
| Rear Body & Crimp Sleeve | Corrosion resistant steel alloy |
| Passivation | Per SAE-AMS-QQ-PP-35 or ASTM-A-967 |
| Cable Diameter | 1.6 to 2.8 [0.065 to 0.110] |
| End Face Geometry | Meets Telcordia GR-326 |
| Insertion Loss (IL) | 0.06 dB (typical) |
| Minimum Loss | 0.004 dB |
| Maximum Loss | 0.08 dB |
| Return Loss (RL) | > 45 dB |
| Minimum Return Loss | > 45 dB |
| Temperature Range | -55° to 125°C |
| Locking System | Jackscrews (required) |
| Plastic Optical Fiber (POF) | <i>The current Optik-D terminus is intended for glass fiber only. For high volume applications, a POF terminus can be provided. Contact technical sales for more information.</i> |
| Cable Compatibility | Loose jacketed (pull-proof), 1.6mm to 2.8mm [0.065" to 0.110"] ϕ Contact technical sales for details regarding tight jacketed and 900 μ m cable use |

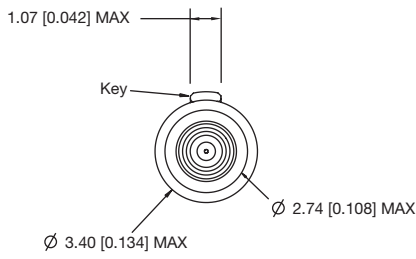
Pull-proof termini allow for the use of the connector without a backshell.



Terminus shown here without crimp sleeve.

The terminus design includes a key that aligns with a corresponding **keyway** in the rear body of the **adapter**.

Each terminus ships with a factory-installed **dust cover** and a crimp sleeve.



| Part Number | Ferrule Diameter | Mode | Style |
|--------------|---------------------|------------|------------|
| OT1260LMX/AA | 126.0 μm | Multi-mode | Pull-proof |

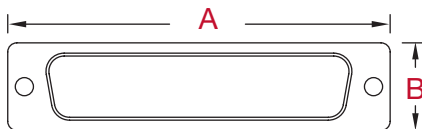
Contact technical sales for other types of available termini including those with alternate ferrule diameters and those intended for use with non-pull-proof cable.



OT1260LMX/AA
Crimp sleeve not shown

DIMENSIONS

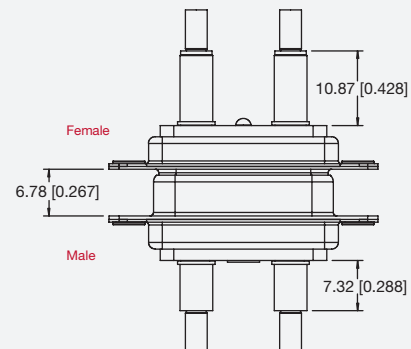
Shell Dimensions



| Shell Size | Connector Variants | A ± 0.38 | B ± 0.38 |
|------------|--------------------|---------------|---------------|
| 2 | 3W3 | 39.14 | 12.55 |
| | 3WK3 | [1.541] | [0.494] |
| 3 | 5W5 | 53.04 | 12.55 |
| | 9W4 | [2.088] | [0.494] |
| 4 | 17W5 | 69.32 | 12.55 |
| | 13W6 | [2.729] | [0.494] |
| | 8W8 | | |
| 5 | 24W7 | 66.93 [2.635] | 15.37 [0.605] |

For all related shell dimensions, please consult the **Combo-D** catalog, C-004.

Assembly Dimensions in Mated Condition



Jackscrews removed for clarity. All dimensions nominal.

| 6 | 7 | 8 | 9 | 10 |
|---|----|---|-----|--|
| 0 | T2 | S | /AA | |
| | | | | <p>STEP 10 - SELECTIVE LOADING</p> <p>Use this step to specify which size 8 positions will NOT be populated with optical termini.</p> <p><i>I.E. CBF8W8M00ANES-A1A8 would yield an 8W8 with positions A1 and A8 empty so that electrical size 8 contacts can be used in those positions.</i></p> |
| | | | | <p>STEP 9 - ENVIRONMENTAL COMPLIANCE OPTIONS</p> <p>/AA - RoHS Compliant</p> <p><i>An RoHS compliant connector with stainless steel shells will also have stainless steel hardware (backshell not included).</i></p> |
| | | | | <p>STEP 8 - SHELL OPTIONS</p> <p>0 - Zinc plated, with chromate seal. S - Stainless steel, passivated. X - Tin plated. Z - Tin plated and dimpled (male connectors only).</p> |
| | | | | <p>STEP 7 - JACKSCREW LOCKING SYSTEMS</p> <p>T2 - Fixed Female Jackscrews. <u>E - Rotating Male Jackscrews. Available only with AN backshell in Step 6.</u> E2 - Rotating Male Screw Locks.</p> |
| | | | | <p>STEP 6 - BACKSHELLS AND ADDITIONAL ACCESSORIES</p> <p>0 - None Y - Backshell, top opening, plastic with rotating male jackscrews. Available in shell size 5 only. Z - Backshell, top and side opening, robust and extended height, plastic with rotating male jackscrews. H - Backshell, top opening, metal. AN - Backshell, lightweight aluminum, nickel finish. N - Push-on fastener for right angle (90°) mounting brackets.</p> |

Gore-Tex® gasket tape can be used as a protective layer between the fiber and the backshell cable clamp to prevent chafing.

2D DRAWINGS & 3D MODELS

Once you have made a connector selection, contact us if you would like a 3D model or 2D drawing. If the drawing does not already exist in our database, we can create one for you. We also have a variety of drawings available from our web site, www.connectpositronic.com.

