



POSITRONIC[®]
GLOBAL *Connector* SOLUTIONS

Quality Solutions
Reliable Service

POSITRONIC INDUSTRIES, INC.
Springfield, Missouri USA • 800-641-4054 • info@connectpositronic.com

POSITRONIC INDUSTRIES, S.A.S.
Auch, France • 33 5 62 63 44 91 • contact@connectpositronic.com

POSITRONIC ASIA PTE LTD.
Singapore • (65) 6842 1419 • singapore@connectpositronic.com

www.connectpositronic.com

HIGH PERFORMANCE D-SUBMINIATURE CATALOG CORRECTIONS

Dear Customer:

It is our goal to provide you with up-to-date product literature. In order to achieve this goal, we are supplying the attached pages.

These pages will update your **High Performance D-subminiature** catalog to the new revision of **C-005 Rev B1**. It also will correct errors contained in our printed material and/or provide information about product expansion. These changes are indicated by ***bold italics and are underlined***. Please reference page numbers at bottom of each page for proper placement in the catalog.

If you would like to request additional printed copies, email your request to info@connectpositronic.com. Please indicate the catalog and revision level requested, along with your name, address, city, state/province, country, and postal code.

Also, updated PDF catalogs can be obtained by visiting our web site at www.connectpositronic.com.

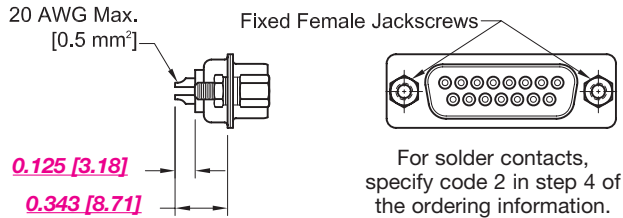
C-005 Rev. B1

PLEASE UPDATE YOUR CATALOG ACCORDINGLY.

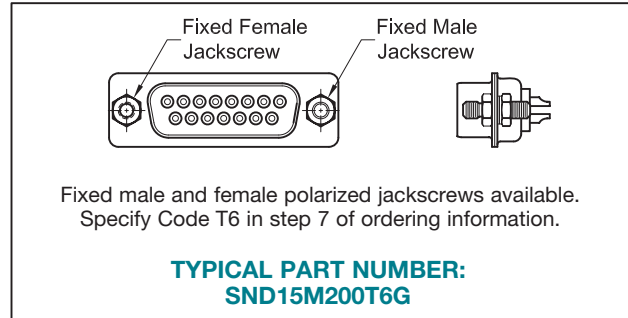
We will make these corrections in the upcoming printing of this catalog. Contact us for any additional information at the location nearest you listed above.



**SOLDER CUP TERMINATION
CODE 2**



**TYPICAL PART NUMBER:
SND15M200T2G**



SND15S5R70T2G
(shown left)

SND25M10H0G
(shown middle)

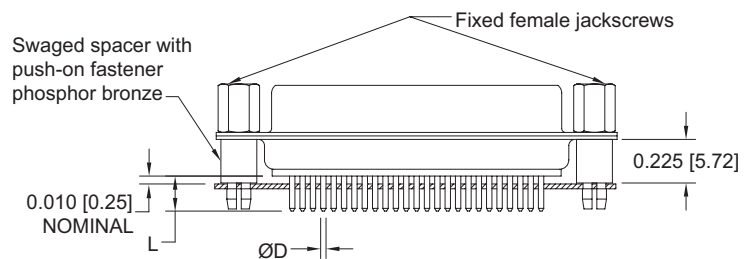
**SND9M000G with
MC6020M contacts**
(shown right)

**STRAIGHT SOLDER PRINTED BOARD MOUNT TERMINATION
CODE 3, 32 AND 36**

*1 CODE NUMBER	L	ØD
3	0.170 [4.32]	0.028 [0.71]
32	0.375 [9.53]	0.028 [0.71]
36	0.236 [6.00]	0.024 [0.61]

NOTE:

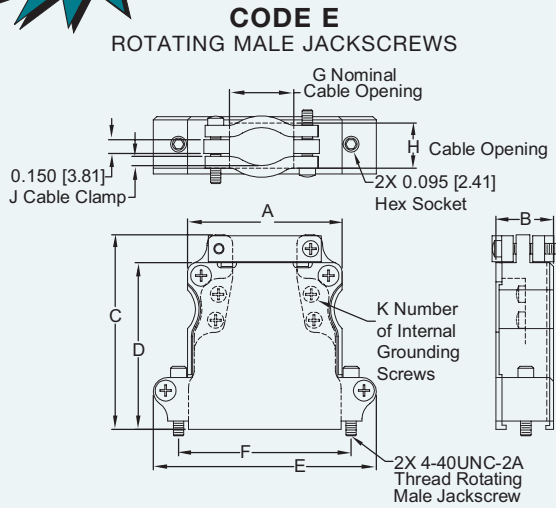
*1 Contact termination code as specified in Step 4 of ordering information.



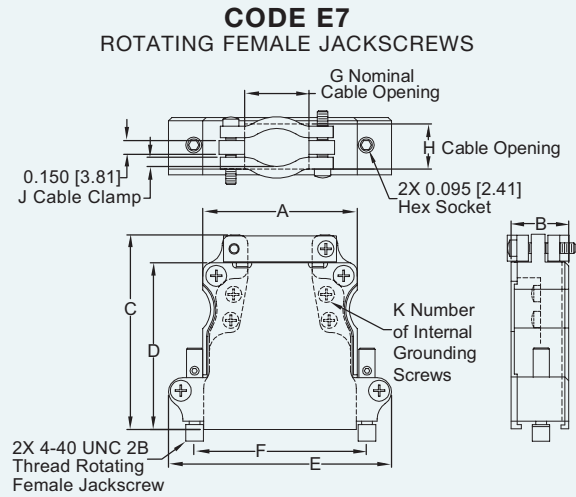
**TYPICAL PART NUMBER:
SND25S3S60TG**



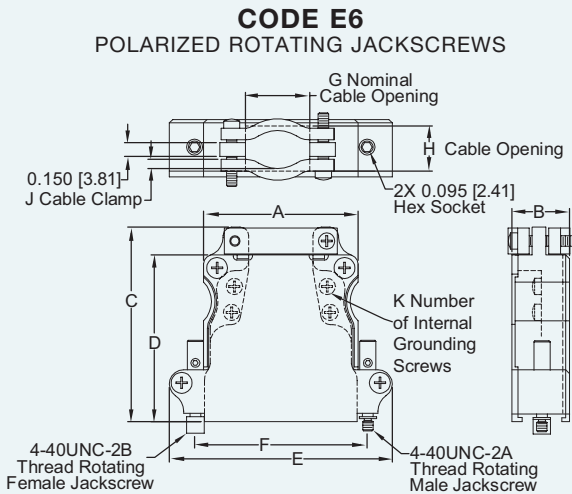
LIGHTWEIGHT ALUMINUM CABLE ADAPTER (HOOD)
WITH ROTATING JACKSCREWS
CODE ANE, ANE6, AND ANE7



TYPICAL PART NUMBER: D25000ANEG

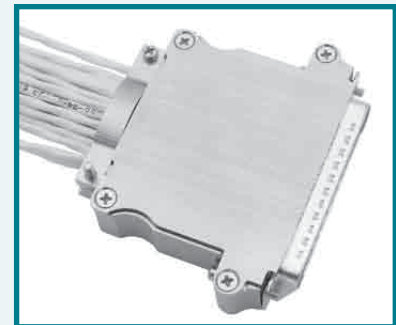


TYPICAL PART NUMBER: D25000ANE7G



TYPICAL PART NUMBER: D25000ANE6G

*For Technical
Characteristics,
see page 91
for details.*



D37000ANEG- Lightweight aluminum hood with rotating male jackscrews, pictured above with connector installed.

SHELL SIZE	CONNECTOR / CONTACT VARIANT COMPATIBILITY		PART NUMBER	A	B	C	D	E	F	G	H		J	K
											Min. ⁻²	Max.		
1	Std-D: 9 High-D: 15	Combo-D: 5W1, 2WK2 Combo-D High-D: 8W2	D9000AN*1G	0.908 [23.06]	0.616 [15.65]	2.090 [53.09]	1.790 [45.47]	1.524 [38.71]	0.984 [24.99]	0.362 [9.19]	0.240 [6.10]	0.483 [12.27]	0.050 [1.27]	4
2	Std-D: 15 High-D: 26	Combo-D: 3W3, 3WK3, 7W2, 11W1 Combo-D High-D: 19W1	D15000AN*1G	1.236 [31.39]	0.616 [15.65]	2.090 [53.09]	1.790 [45.47]	1.852 [47.04]	1.312 [33.32]	0.690 [17.53]	0.350 [8.89]	0.483 [12.27]	0.100 [2.54]	4
3	Std-D: 25 High-D: 44	Combo-D: 5W5, 9W4, 13W3, 17W2, 21W1 Combo-D High-D: 15W4	D25000AN*1G	1.656 [42.06]	0.616 [15.65]	2.090 [53.09]	1.790 [45.47]	2.392 [60.76]	1.852 [47.04]	0.690 [17.53]	0.350 [8.89]	0.483 [12.27]	0.100 [2.54]	4
4	Std-D: 37 High-D: 62	Combo-D: 8W8, 13W6, 17W5, 21WA4, 25W3, 27W2 Combo-D High-D: 45W2	D37000AN*1G	2.304 [58.52]	0.616 [15.65]	2.340 [59.44]	2.040 [51.82]	3.040 [77.22]	2.500 [63.50]	1.242 [31.55]	0.410 [10.41]	0.483 [12.27]	0.130 [3.30]	6
5	Std-D: 50 High-D: 78	Combo-D: 24W7, 36W4, 43W2, 47W1 Combo-D High-D: n/a	D50000AN*1G	2.210 [56.13]	0.727 [18.47]	2.340 [59.44]	2.040 [51.82]	2.946 [74.83]	2.406 [61.11]	1.242 [31.55]	0.410 [10.41]	0.594 [15.09]	0.130 [3.30]	6
6	Std-D: n/a High-D: 104	Combo-D: 46W4 Combo-D High-D: n/a	D104000AN*1G	2.304 [58.52]	0.790 [20.07]	2.340 [59.44]	2.040 [51.82]	3.040 [77.22]	2.500 [63.50]	1.242 [31.55]	0.410 [10.41]	0.657 [16.69]	0.130 [3.30]	6

NOTES: *1 For completed part number, insert the desired code (E, E6 or E7) for required jackscrew option.
*2 Smaller cable openings may be achieved by inverting one or both cable clamps.

DIMENSIONS ARE IN INCHES [MILLIMETERS].
ALL DIMENSIONS ARE SUBJECT TO CHANGE.

